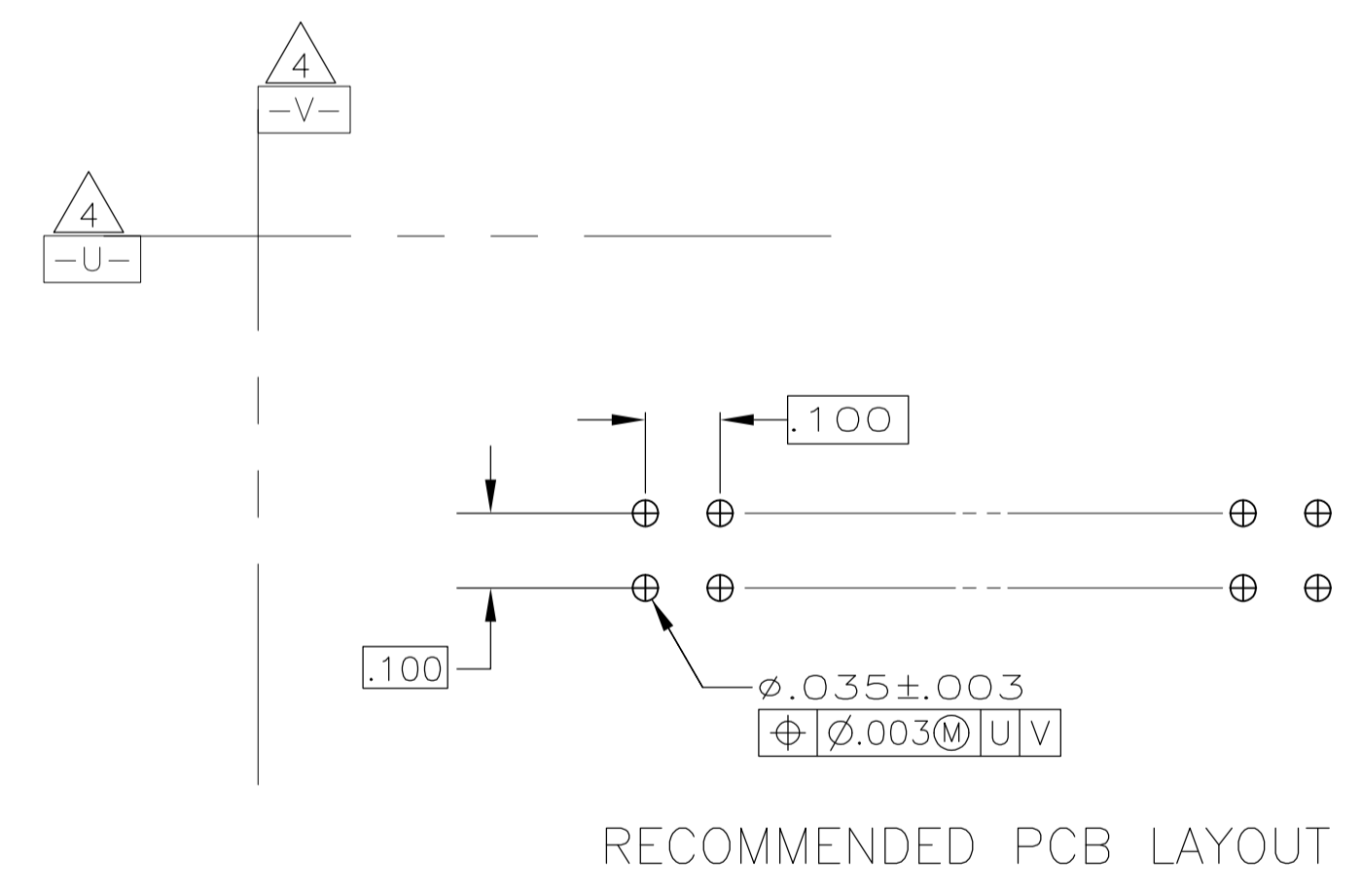
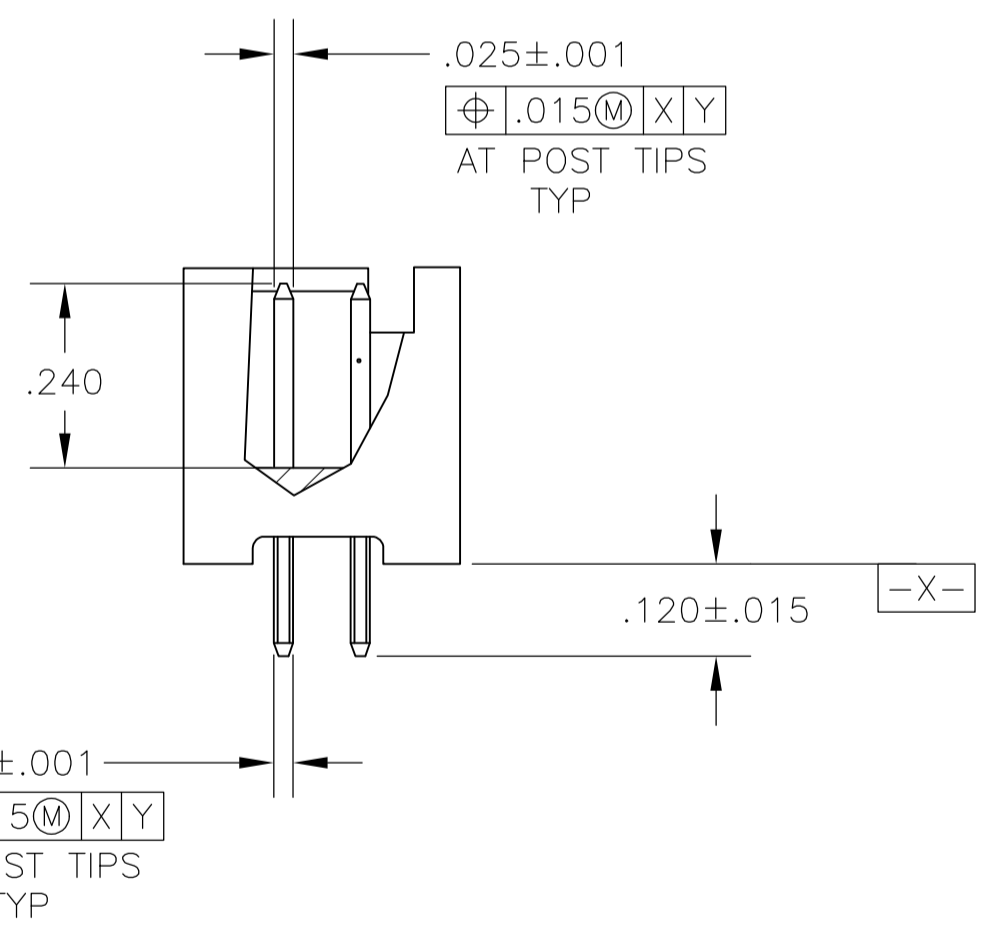
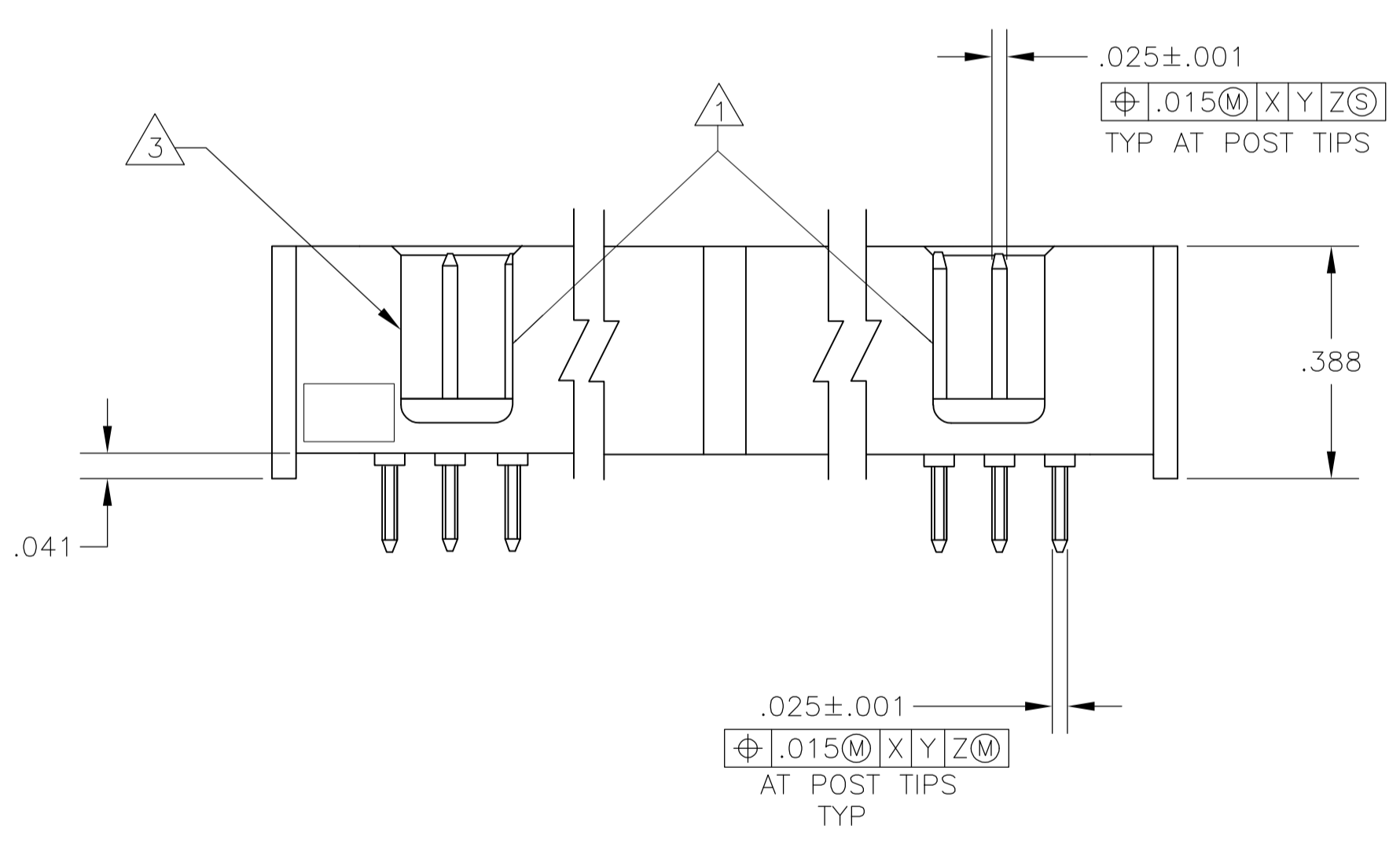
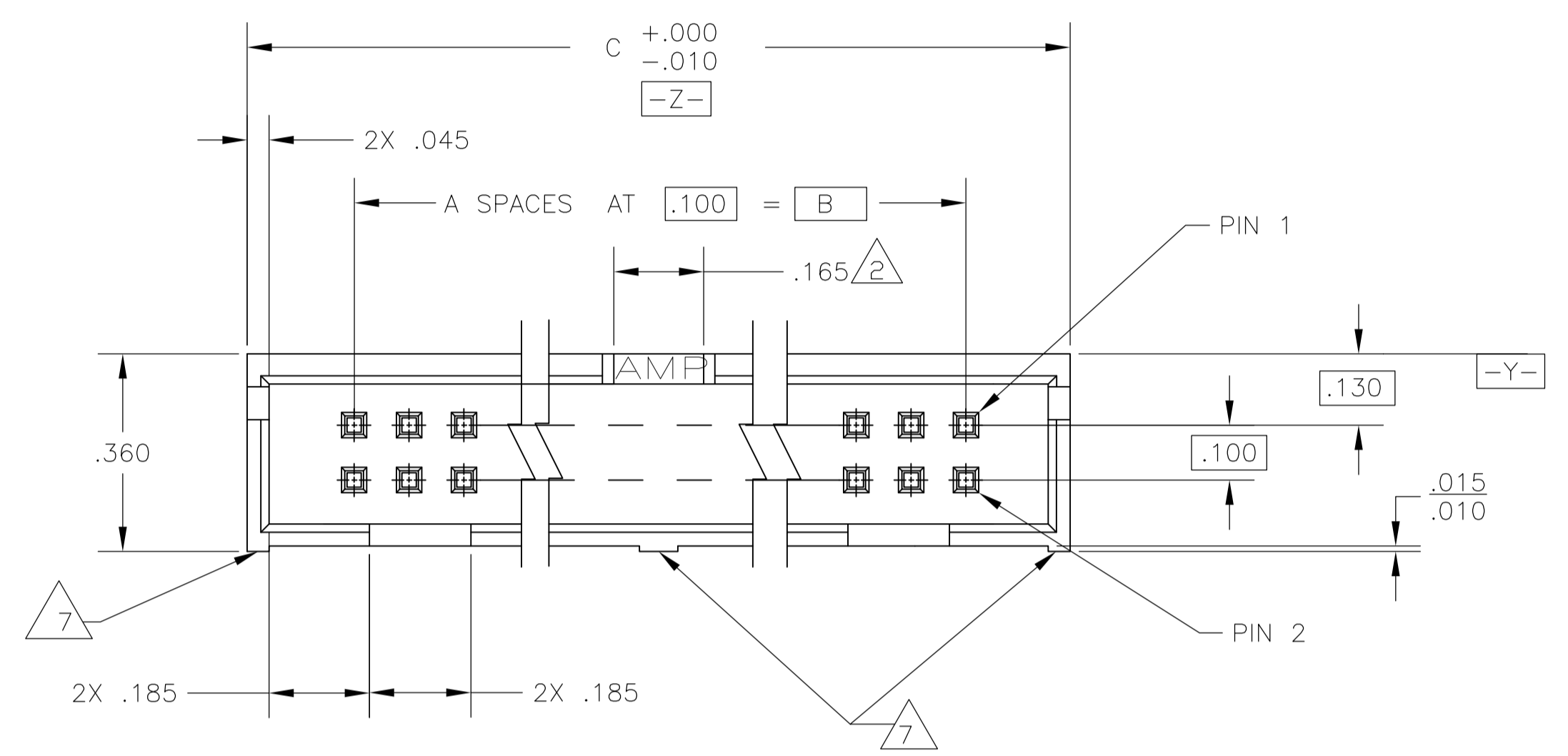


| LOC |                           | DIST    |      | REVISIONS |     |      |  |  |
|-----|---------------------------|---------|------|-----------|-----|------|--|--|
| GP  | 00                        | REV     | DATE | BY        | CHK | APPV |  |  |
| E1  | REVISED PER ECO-11-004835 | 11MAR11 | RK   | HMR       |     |      |  |  |

- 1 DOUBLE BAR POLARIZATION SLOTS.
- 2 CENTER POLARIZATION SLOT.
- 3 FOR 10 POSN ASSEMBLY, SLOT OMITTED IN THIS LOCATION.
- 4 DATUMS U AND V TO BE ESTABLISHED BY THE CUSTOMER.
- 5 HOUSING: GLASS FILLED NYLON OR PBT, BLACK, UL 94V-0 RATED. POSTS: BRASS.
- 6 POSTS: GOLD FLASH OVER PALLADIUM-NICKEL PLATE, .000030 MIN TOTAL ON THE MATING SURFACES, .000100 MIN TIN PLATE ON THE SOLDER-TAILS, .000050 MIN NICKEL UNDERPLATE ON THE ENTIRE POST.  
-OR-  
.000030 MIN GOLD PLATE ON THE MATING SURFACES, .000100 MIN TIN PLATE ON THE SOLDER-TAILS, .000050 MIN NICKEL UNDERPLATE ON THE ENTIRE POST.
- 7 RIBS:  
ALL POSITION SIZES: 2 LOCATED AT ENDS OF HOUSING.  
20 THRU 34 POSITION SIZES: 1 ADDITIONAL RIB CENTERED ON HOUSING.  
40 THRU 50 POSITION SIZES: 2 ADDITIONAL RIBS EVENLY SPACED WITHIN REMAINING LENGTH OF HOUSING.



|       |       |    |            |             |
|-------|-------|----|------------|-------------|
| 2.800 | 2.400 | 24 | 50         | 1-5103309-0 |
| 2.300 | 1.900 | 19 | 40         | 5103309-8   |
| 2.000 | 1.600 | 16 | 34         | 5103309-7   |
| 1.600 | 1.200 | 12 | 26         | 5103309-6   |
| 1.300 | .900  | 9  | 20         | 5103309-5   |
| 1.100 | .700  | 7  | 16         | 5103309-3   |
| 1.000 | .600  | 6  | 14         | 5103309-2   |
| .800  | .400  | 4  | 10         | 5103309-1   |
| C     | B     | A  | NO OF POSN | PART NUMBER |

THIS DRAWING IS A CONTROLLED DOCUMENT.

|                    |  |            |            |            |               |               |            |
|--------------------|--|------------|------------|------------|---------------|---------------|------------|
| DIMENSIONS: INCHES | TOLERANCES UNLESS OTHERWISE SPECIFIED: | 0. PLC ± - | 1. PLC ± - | 2. PLC ± - | 3. PLC ± .005 | 4. PLC ± -    | ANGLES ± - |
| MATERIAL           |  | FINISH     |            | WEIGHT     |               | RESTRICTED TO |            |

APPROVED: M. WALMSLEY, DATE: 01 NOV 05, NAME: M. WALMSLEY

PRODUCT SPEC: 108-40018

APPLICATION SPEC: -

SIZE: A1, CAGE CODE: 00779, DRAWING NO: 5103309

CUSTOMER DRAWING, SCALE: 4:1, SHEET: 1 OF 1, REV: E1

STE TE Connectivity

HEADER ASSY, VERTICAL, LOW PROFILE, AMP-LATCH